

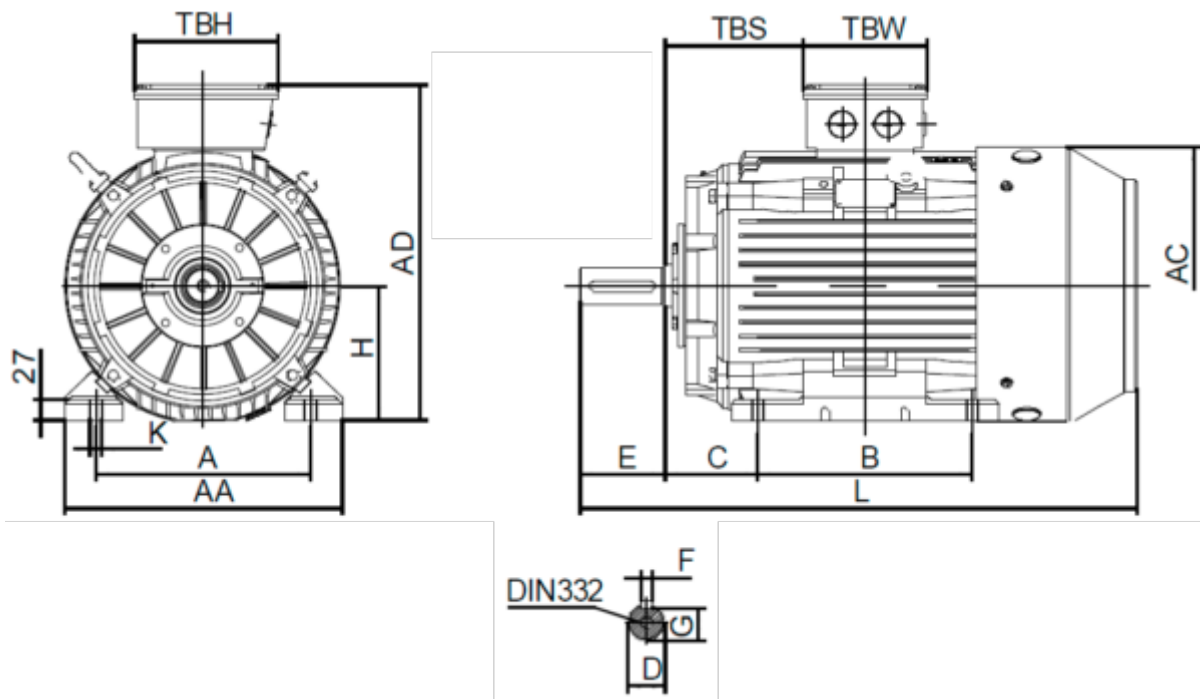
# Data Sheet



Article number: 250302200222

Description: Kleedrive T3C 180M-2 22.0KW 2800 rpm  
3x400/690V 50HZ IP55 B3 Eff=92,7%

## Measures



A = 279	F = 14	TBW = 162
AA = 354	G = 42.5	
AC = Ø360	H = 180	
AD = 445	HD = 265	
B = 241	K = Ø15	
C = 121	L = 687	
D = Ø48	TBH = 187	
E = 110	TBS = 160	